



The **Talla-Com B-20D Bias T** couples RF signals from the receiver transmitter and DC from a power supply onto one coax. This allows RF Power Amplifiers to be placed near the antenna without a separate DC cable harness. The Bias T provides maximum RF to DC isolation with minimum RF to RF & DC insertion loss.

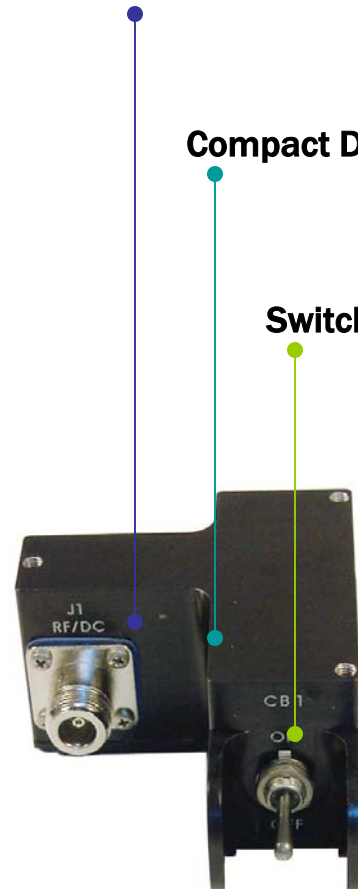
## Key Features

- RF frequency range 30 to 512 MHz
- 20 A circuit breaker switch
- Low insertions loss: 0.3 dB Max
- Small form factor
- Size: 3.11"W x 1.8"H x 3"D
- Weight: 1 lb. 1 oz.

## Multiple Uses

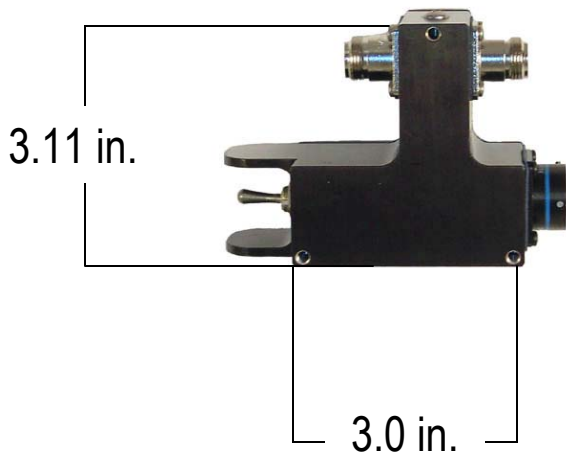
## Compact Design

## Switch



## Physical Description

Height	1.8 in.
Width	3.11 in.
Depth	3.0 in.
Weight	1 lb. 1 oz.
Finish	Black Anodize



## Specifications

Frequency Range	30 to 512 MHz
Insertion Loss	0.3 dB Max
VSWR	1.5:1 Max.
Maximum RF Power	150W
Primary Power	24 to 32VDC
DC Current	20A Max with 20A Circuit Switch



\* Specifications subject to change without notice 4.14.05